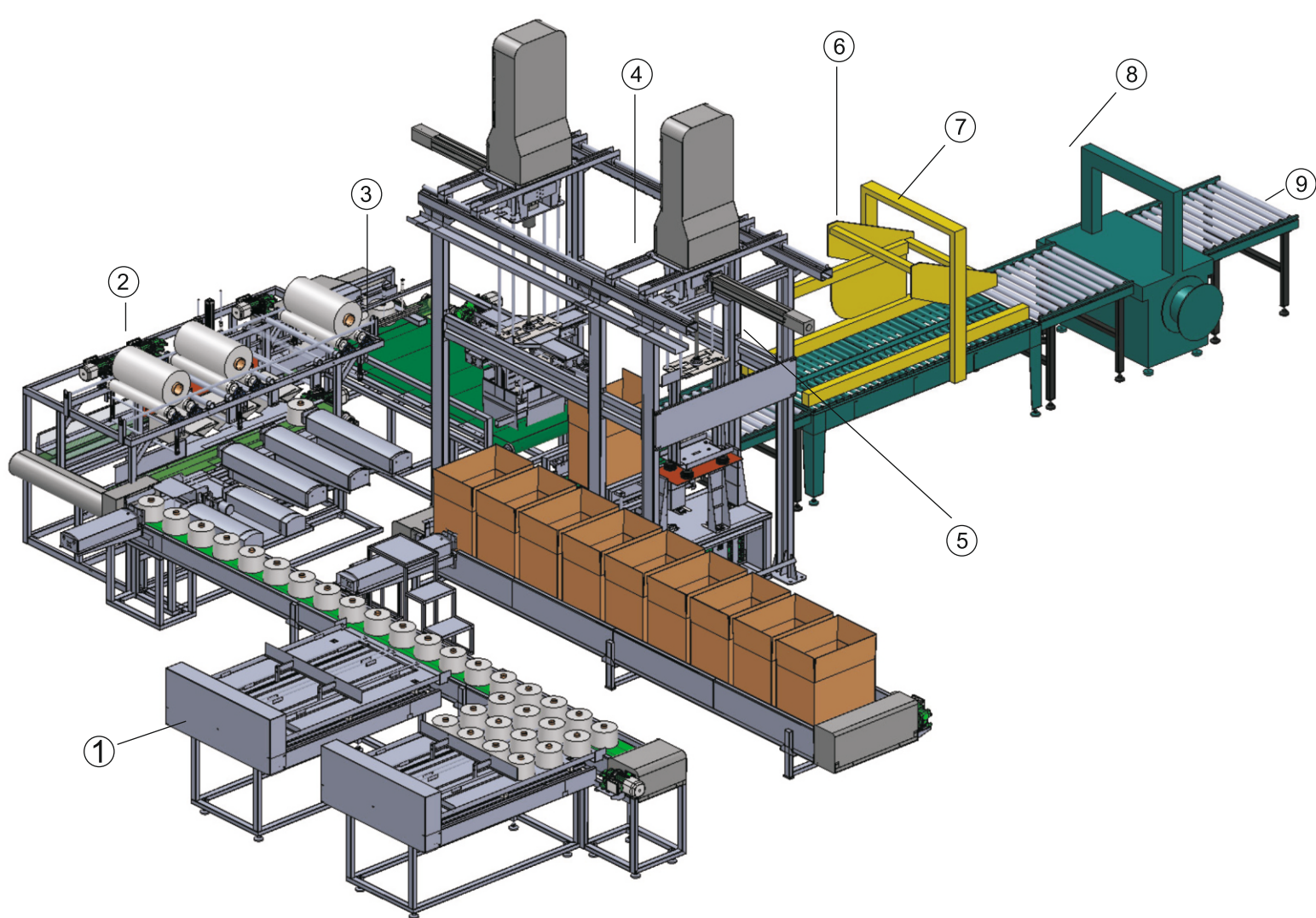


# AUTO CONE-PACK<sup>™</sup>

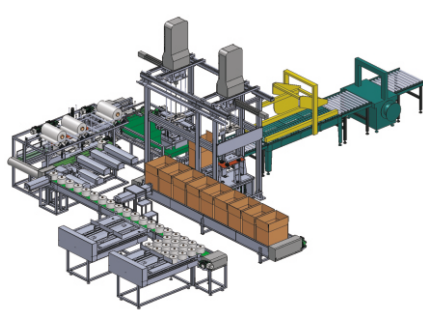
## Automatic cone packing system



**Auto-Cone packing fully Integrated with the Mill Information System**

# AUTO CONE-PACK<sup>™</sup>

## Automatic cone packing system



### Benefits

- Packing quality: uniform and consistent
- Avoid errors and mix ups
- Enables tracking in case of complaints / verification
- Integrated information system (Production, Inventory / Warehouse, Dispatch, Sales)
- Saving man power

1. Weight control of sets of cones per carton 12, 18, 24.
2. Automatic wrapping of cones
3. Grouping cones in columns and rows (1 layer)
4. Placing cones layer by layer
5. Placing separation pads between each layer
6. Gross weight
7. Sealing
8. Strapping
9. Label printing

- Carton – of different sizes to suit varying no. of cones and weights
  - Printing on the Carton / Bag – with bar code as an option
  - Integrated to the Mill Information System - ERP for auto generation of Invoice / Packing list / Tracking system / Inventory
- The Solution can be customised for individual mill conditions.

